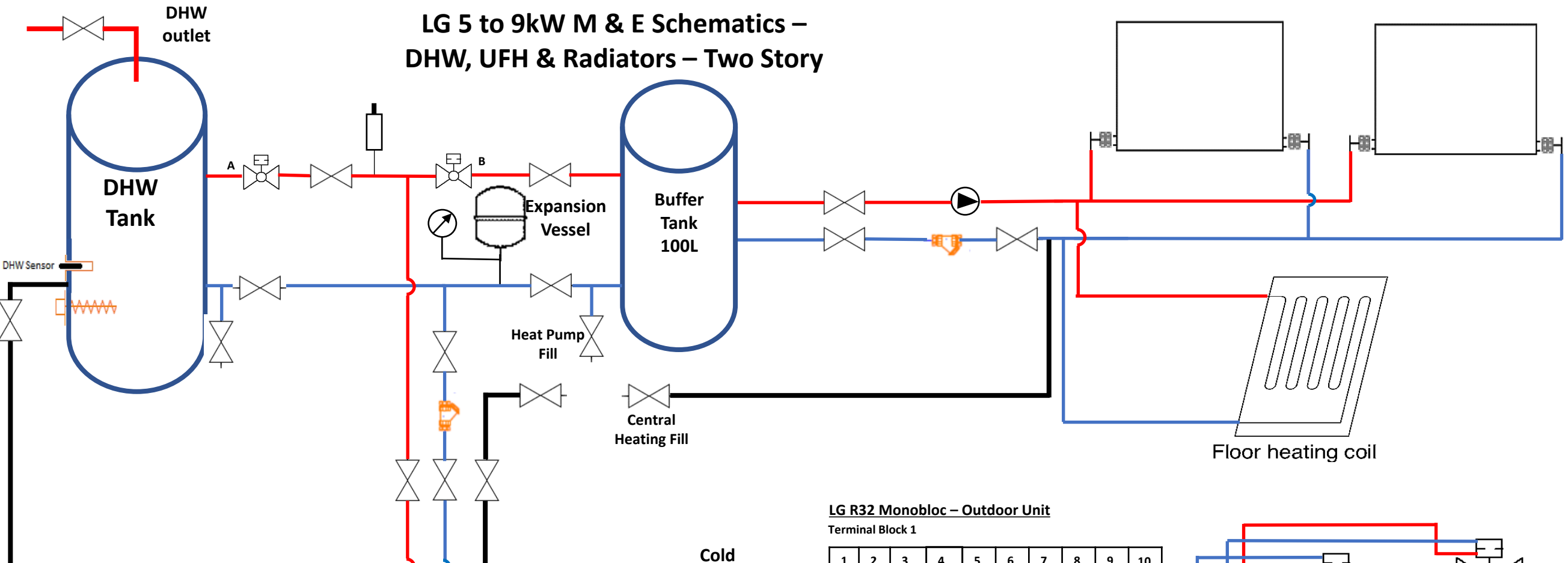


LG 5 to 9kW M & E Schematics – DHW, UFH & Radiators – Two Story



LG R32 Monobloc – Outdoor Unit

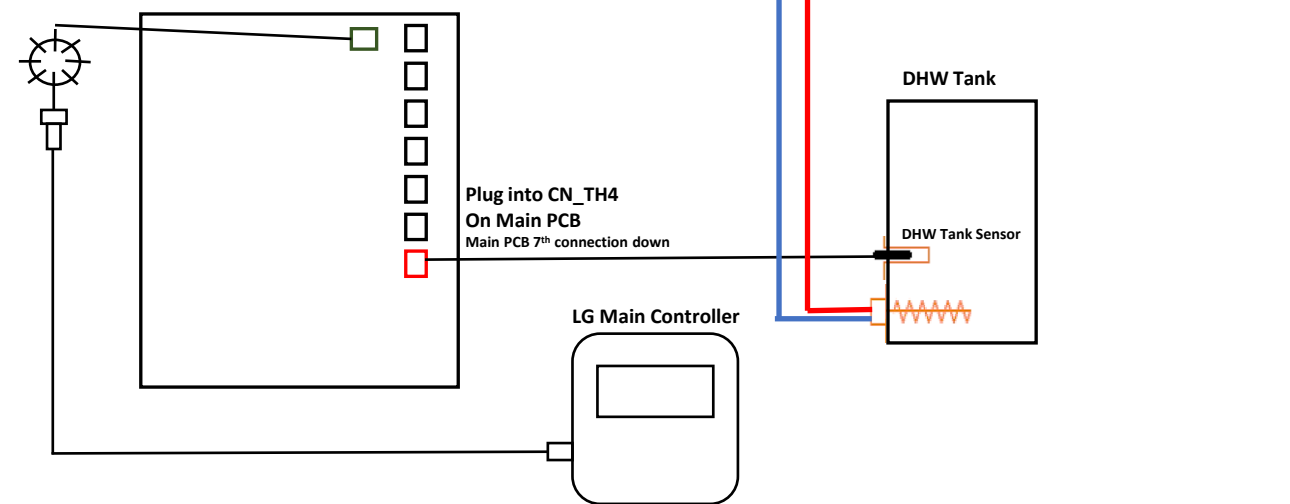
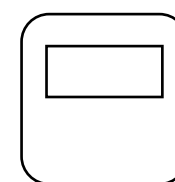
Terminal Block 1

1	2	3	4	5	6	7	8	9	10
L	L1	N	L	N	L	N	L	L1	N
							2 x 2 Way Valves		

Terminal Block 3

21	22	23	24	25	26	27	28	29	30
		L	N	L	N	L	N	L1	L2
			Heater (A)		Heater (B)		Thermostat (Default 230V AC)		

Digital Timer



Key

- Return
- Flow
- Lever Isolation Valve
- Pressure Gauge
- Pump
- Automatic Air Vent
- Filter
- Automatic Two-Way Valve

HM051M.U43 - 240v 1ph ~ 23A
 HM071M.U43 - 240v 1ph ~ 23A
 HM091M.U43 - 240v 1ph ~ 23A
 RCD - Type C

